

GROUND WATER PUMPING, TREATMENT AND DISCHARGE

FOR

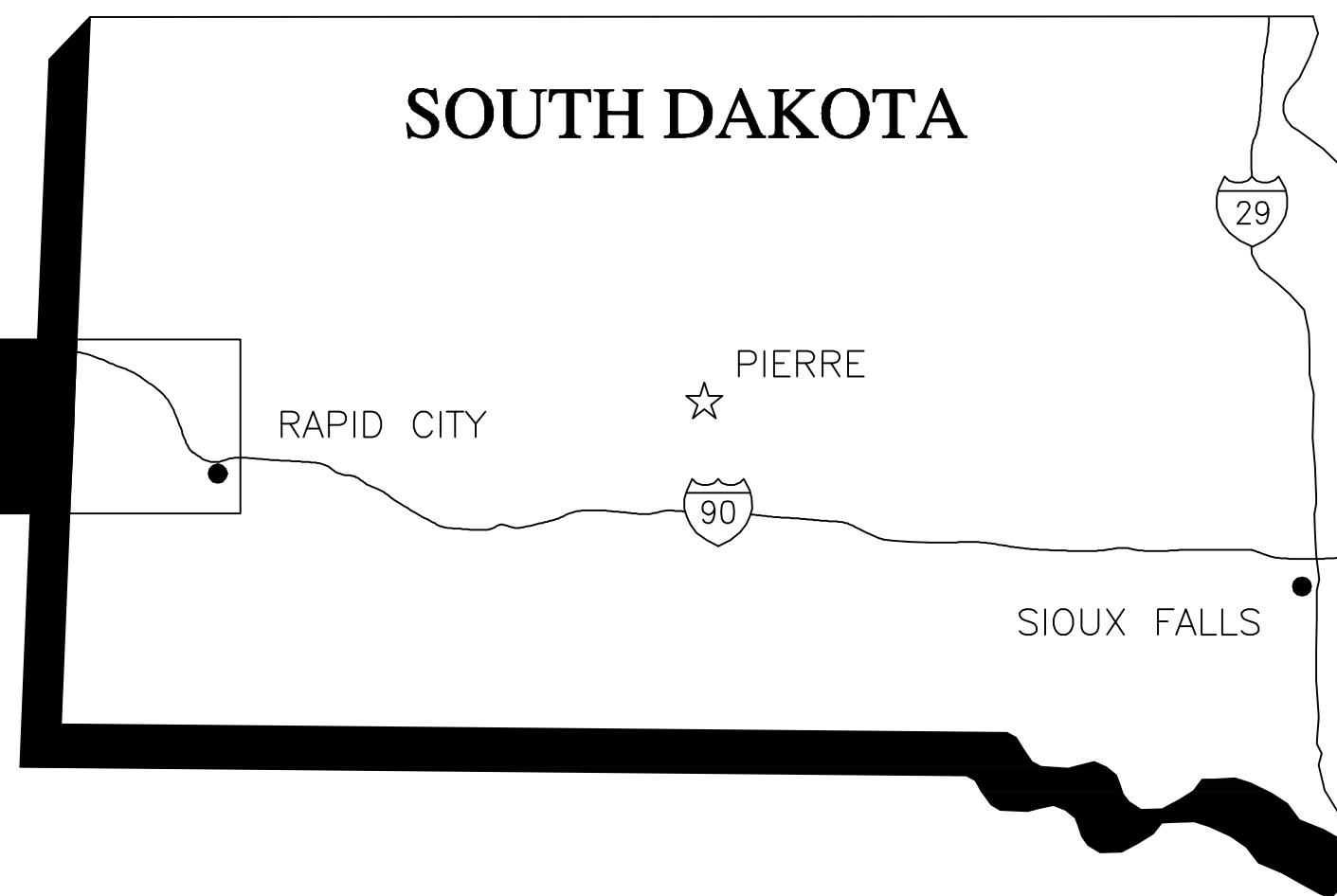
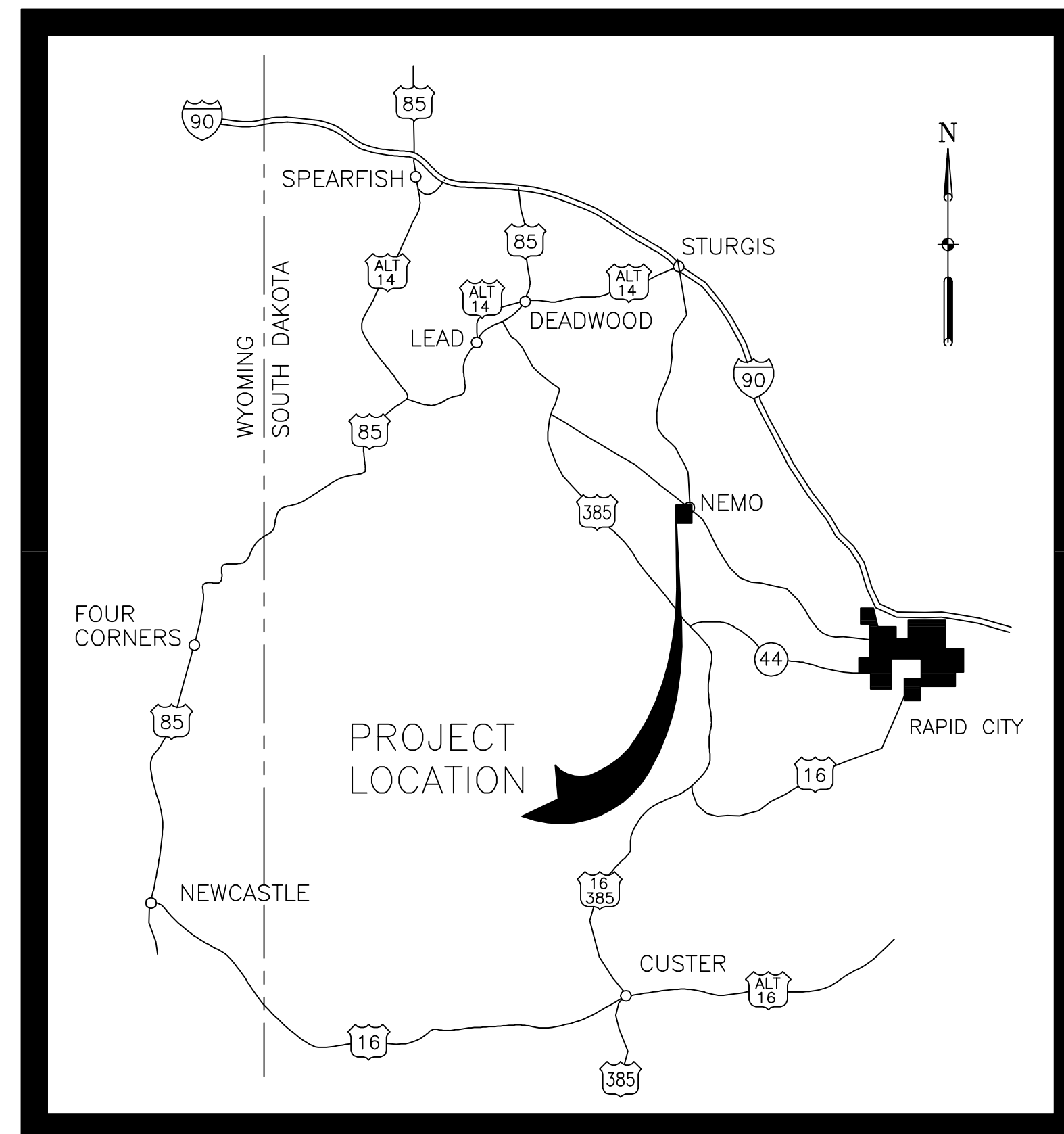
USDA FOREST SERVICE BLACK HILLS NATIONAL FOREST NEMO WORK CENTER, SOUTH DAKOTA

PREPARED BY

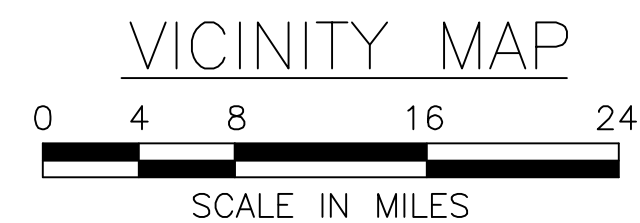


INDEX OF FIGURES

SHEET NO.	FIGURE TITLE
SHEET 1	COVER SHEET AND INDEX OF DRAWINGS
SHEET 2	CIVIL SITE PLAN AS BUILT LAYOUT
SHEET 3	CIVIL DETAILS AS BUILT
SHEET 4	PROCESS AND INSTRUMENTATION AS BUILT



STATE MAP
NOT TO SCALE



W:\Project\22238383_USFS_Nemo\Sub_00\11.0_CAD\As-Built drawings\Nemo-00\TABL\Figures\2007.dwg 4 PM

REV	DATE	BY	DESCRIPTION

DESIGNED BY CW	DISCIPLINE ENGINEER
DRAWN BY HG	
CHECKED BY -	
DATE 02.23.06	

PROJECT ENGINEER

RECORD DRAWING

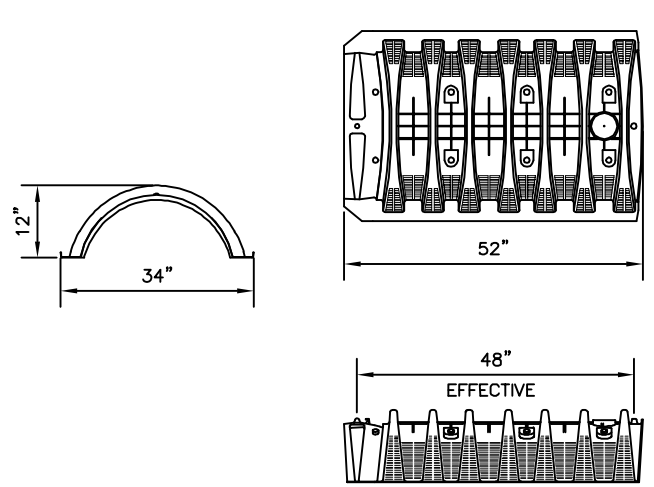
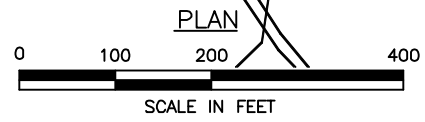
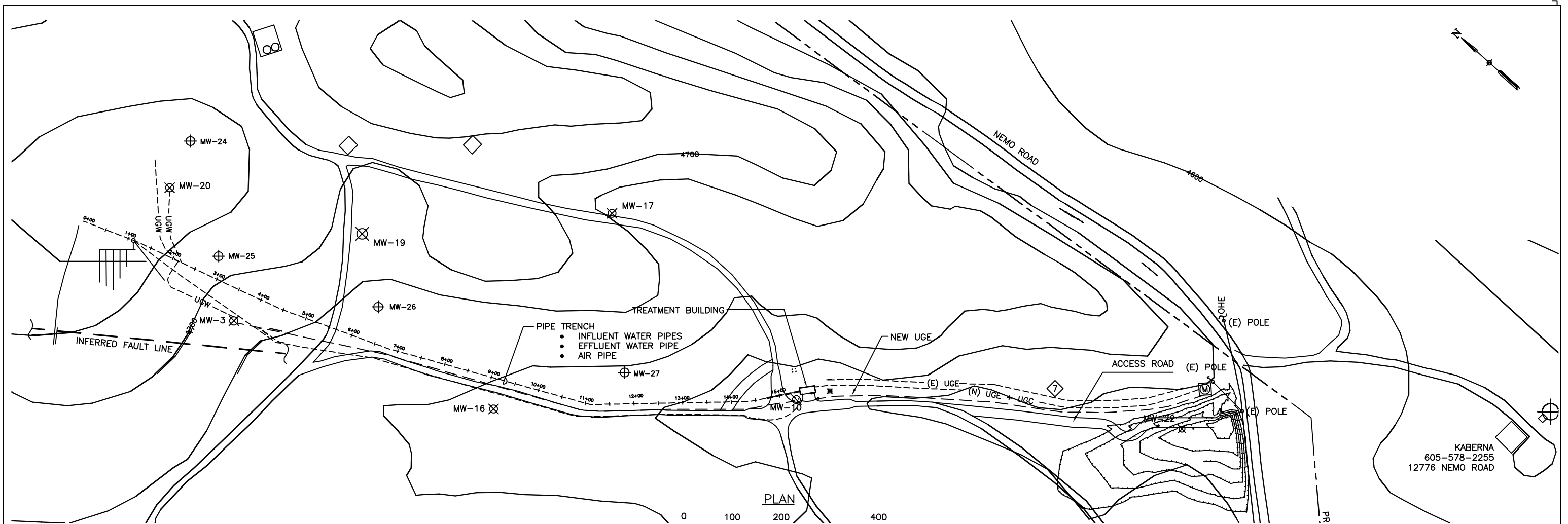


NEMO WORK CENTER
GROUNDWATER COLLECTION REMEDIAL ACTION

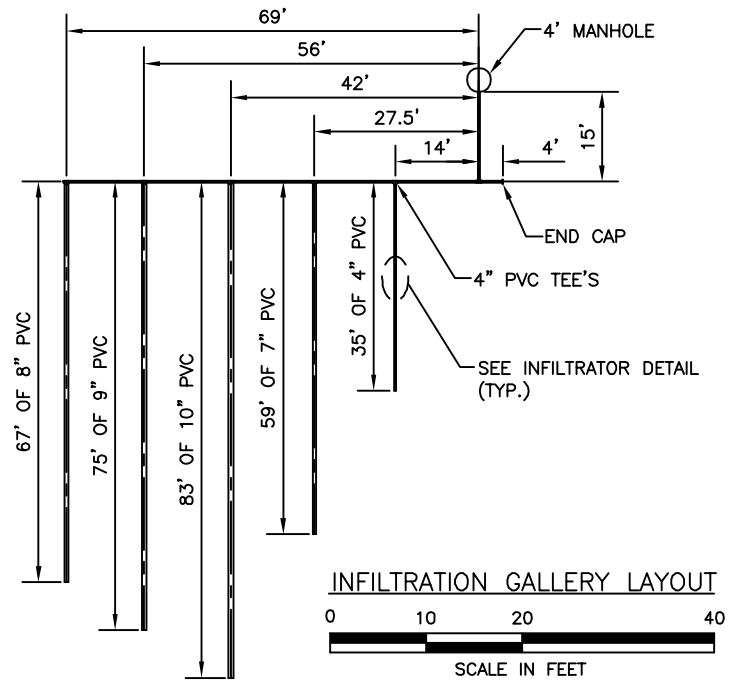
COVER SHEET AND
INDEX OF DRAWINGS

VERIFY SCALES
BAR IS ONE INCH ON ORIGINAL DRAWING
0 1" IF NOT ONE INCH ON THIS SHEET, ADJUST SCALES ACCORDINGLY

JOB NO. 22238383
DRAWING NO. 1
SHEET NO. 1 OF 4



INFILTRATOR DETAIL
N.T.S.



INFILTRATION GALLERY LAYOUT
0 10 20 40
SCALE IN FEET

W:\Projects\22238383_USFS_Nemo\Sub_00\11.0_CAD\As-Built Drawings\NEMO-C01\A10\22238383.dwg:21 AM

REV	DATE	BY	DESCRIPTION

DESIGNED BY JL	DISCIPLINE ENGINEER
DRAWN BY HG	
CHECKED BY -	
DATE 02.23.06	

PROJECT ENGINEER

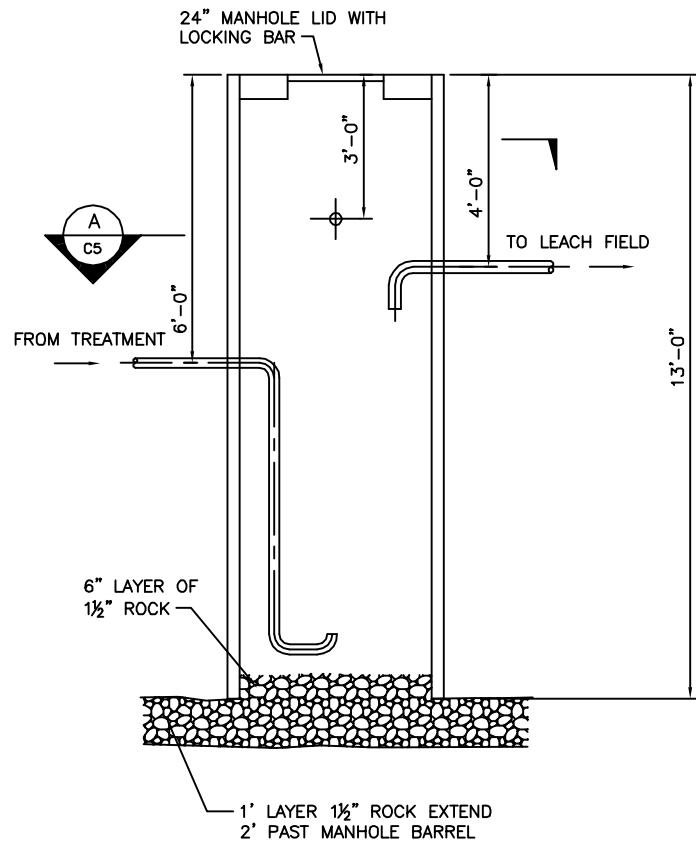
RECORD DRAWING



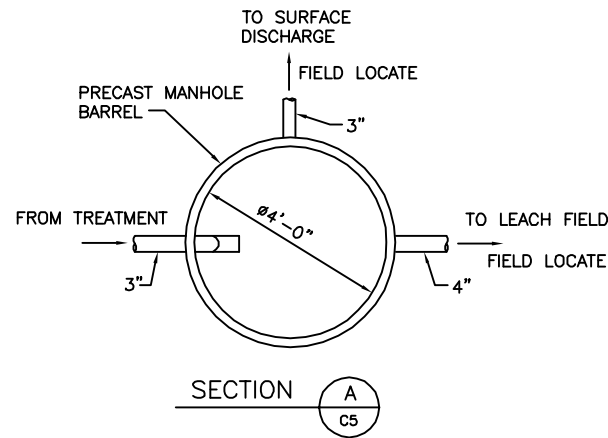
PROJECT ENGINEER

NEMO WORK CENTER
GROUNDWATER COLLECTION REMEDIAL ACTION
CIVIL
SITE PLAN
AS-BUILT

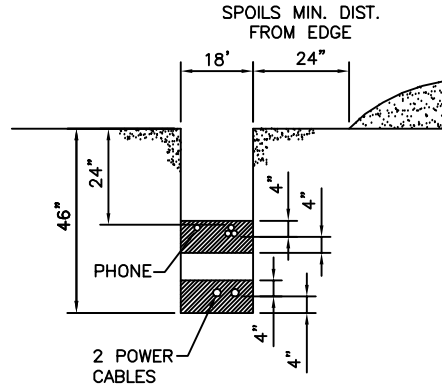
VERIFY SCALES BAR IS ONE INCH ON ORIGINAL DRAWING 0 10 20 40 SCALE IN FEET IF NOT ONE INCH ON THIS SHEET, ADJUST SCALES ACCORDINGLY	JOB NO. 22238383 DRAWING NO. 2 SHEET NO. 2 OF 4
---	--



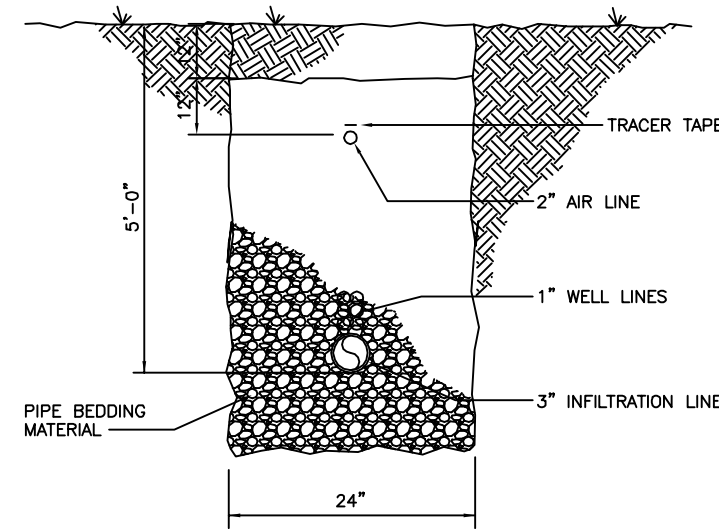
DRY WELL
SCALE: 1/2" = 1'0"



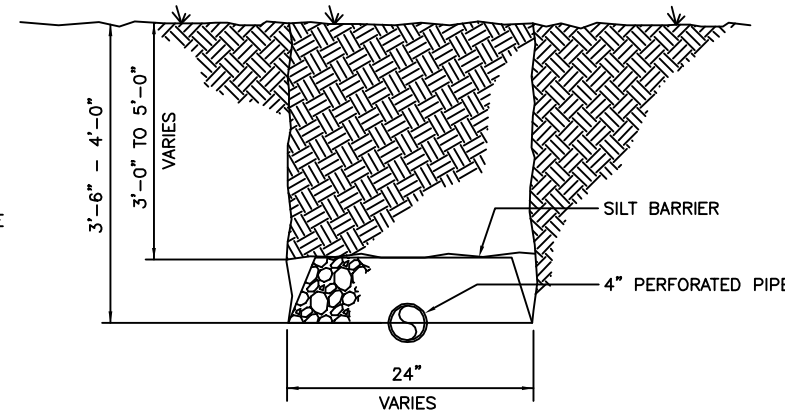
SECTION A
C5



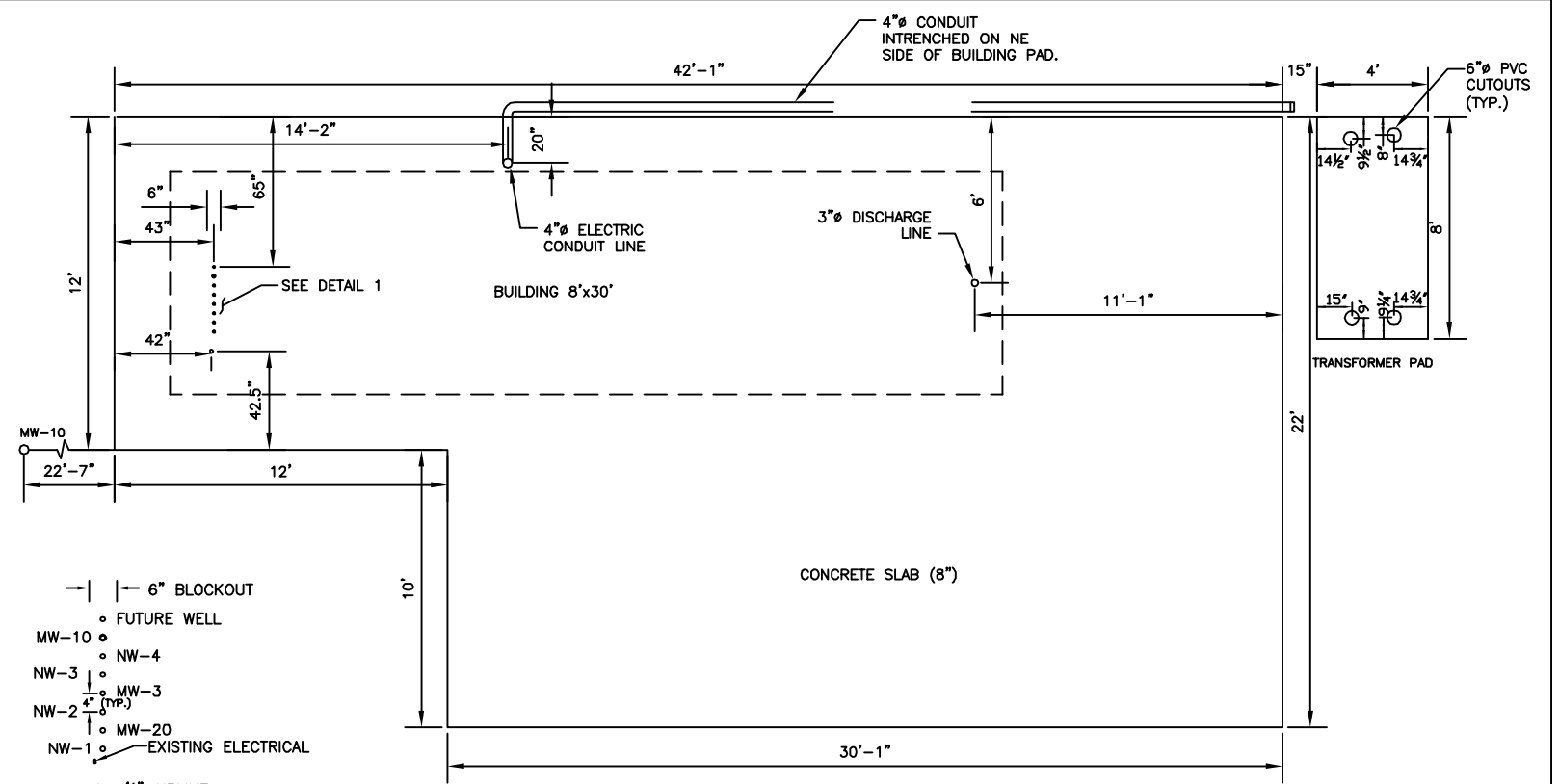
TELEPHONE AND ELECTRIC SERVICE TRENCH
TR1
SINGLE PHASE PRIMARY
THREE PHASE PRIMARY
SECONDARY SERVICE
PHONE & TV



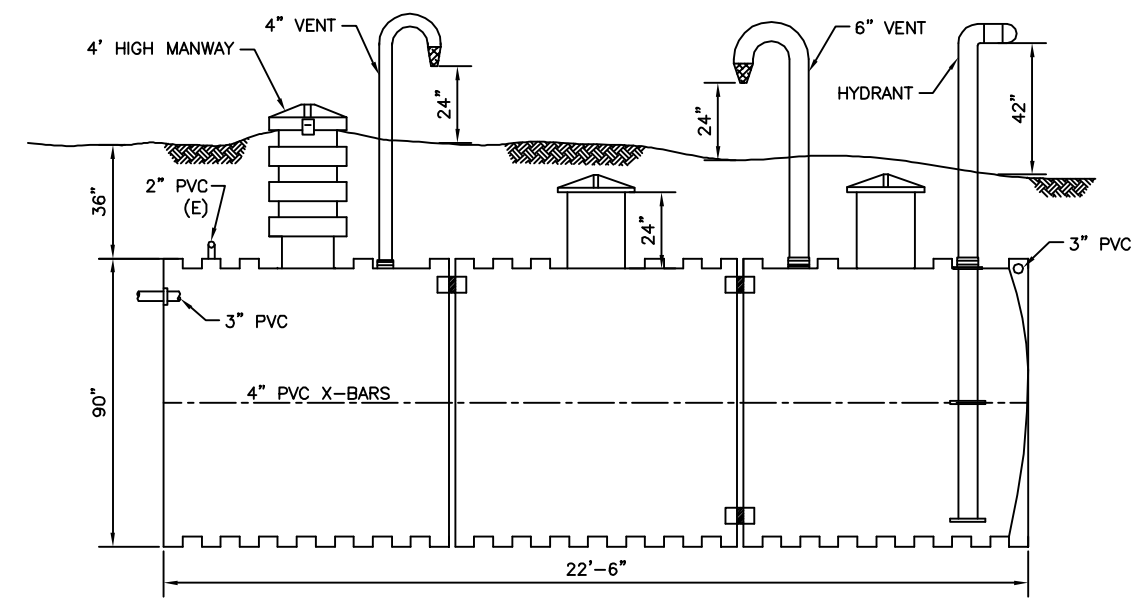
SECTION - TRENCH



INFILTRATION GALLERY TRENCH



TREATMENT BUILDING PAD LAYOUT



DETAIL OF CISTERN

W:\Projects\22238383_USFS_Nemo\Sub_00\11_0_CAD\As-Built Drawings\NEMO-CO4AB10\22238383.dwg 1 AM

DESIGNED BY	
DRAWN BY	
CHECKED BY	
DATE	

DISCIPLINE ENGINEER

PROJECT ENGINEER

RECORD DRAWING

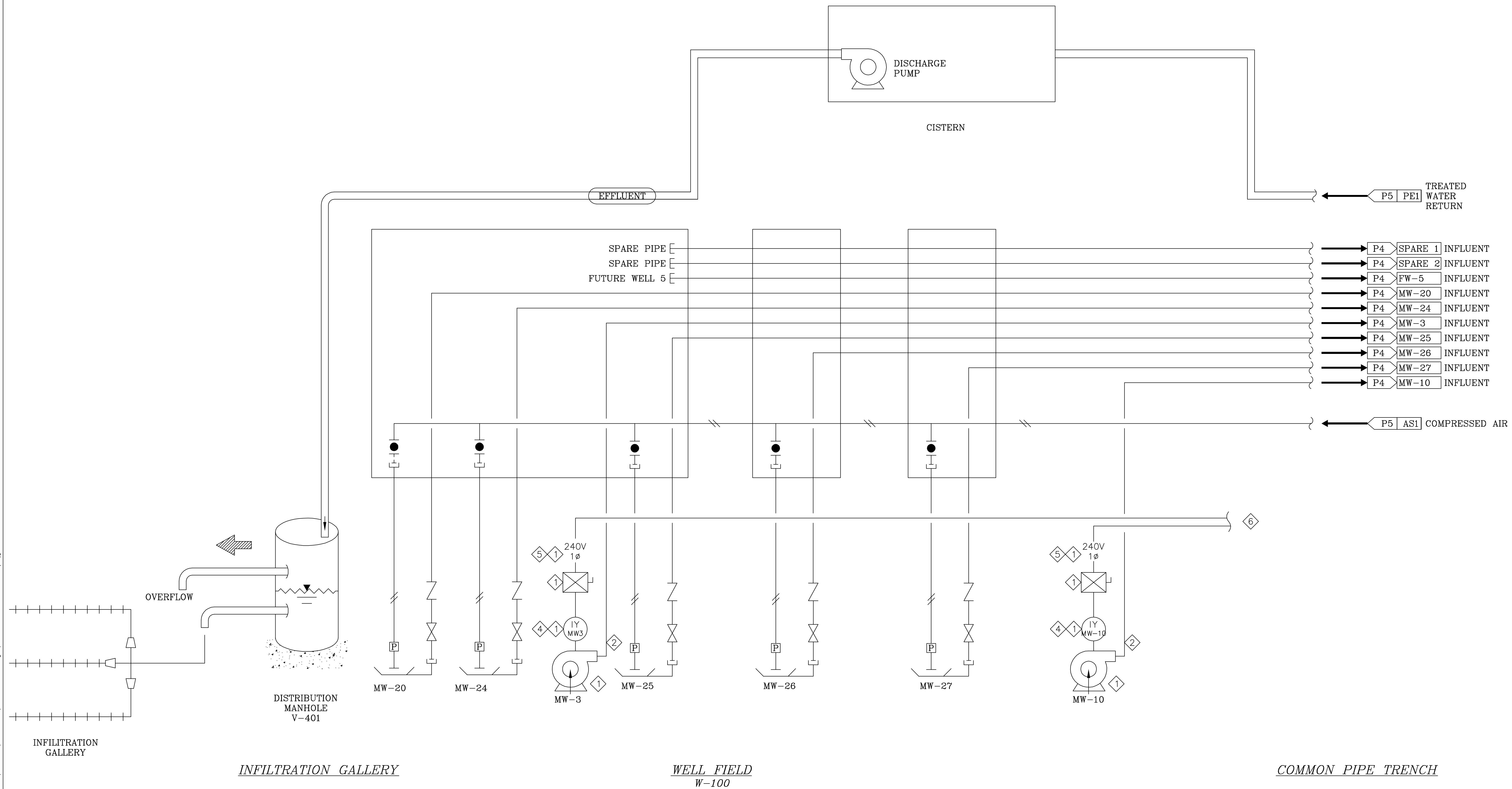
URS
8181 E. TUFTS AVE
DENVER, CO 80237
(303) 694-2770

NEMO WORK CENTER
GROUNDWATER COLLECTION REMEDIAL ACTION
CIVIL
DETAILS
ASBUILT

VERIFY SCALES
BAR IS ONE INCH ON ORIGINAL DRAWING
0 1"
IF NOT ONE INCH ON THIS SHEET, ADJUST SCALES ACCORDINGLY

JOB NO.	22238383
DRAWING NO.	3
SHEET NO.	3 OF 4

W:\Projects\22238383_USFS_Nemo\Sub_00\11.0_CAD\As-built\Drawings\NEMO-P03AB_1-11-07.dwg/2006 8:30 AM



REV	DATE	BY	DESCRIPTION

DESIGNED BY JL	DISCIPLINE ENGINEER
DRAWN BY HG	
CHECKED BY HG	
DATE 02.23.06	

PROJECT ENGINEER

RECORD DRAWING



NEMO WORK CENTER
GROUNDWATER COLLECTION REMEDIAL ACTION

PROCESS AND INSTRUMENTATION
AS BUILT

VERIFY SCALES
BAR IS ONE INCH ON ORIGINAL DRAWING
0 1"
IF NOT ONE INCH ON THIS SHEET, ADJUST SCALES ACCORDINGLY

JOB NO.
22238383
DRAWING NO.
4
SHEET NO.
4 OF 4